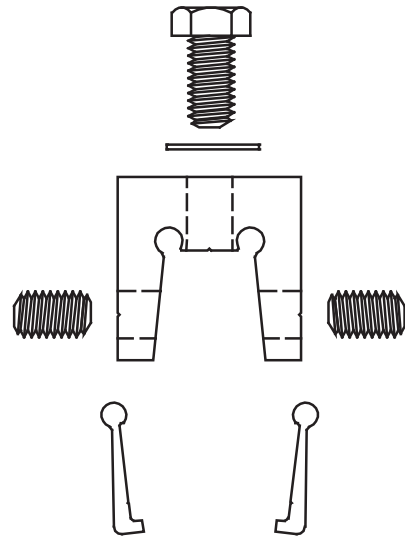
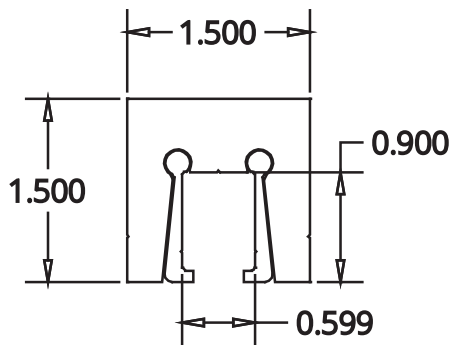
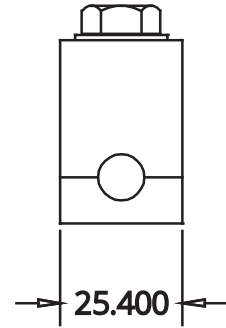
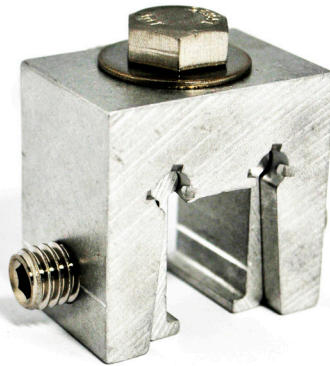
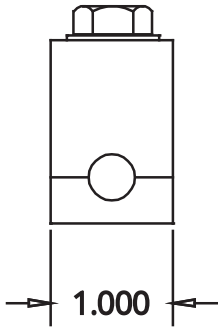


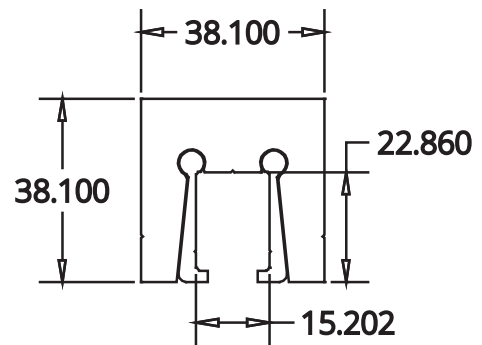
**G2 Standing
Seam Hammer**



EXPLODED VIEW



(INCHES)



(MILLIMETERS)



UNIVERSAL® CLAMP - 1-INCH STANDARD BODY

PART NO. SI102XS

Recommended Screw Tension	Perpendicular Pull Test Results	Parallel Pull Test Results
16-20 ft/lb	2016 lbf.	975lbf.