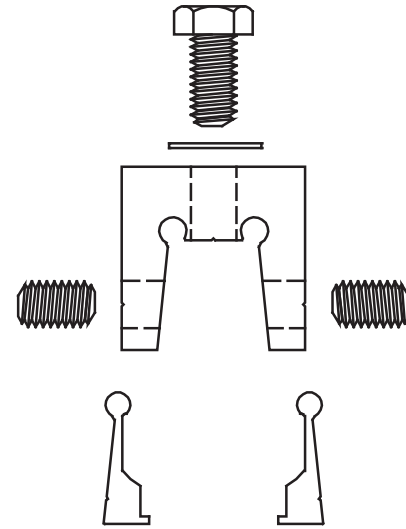
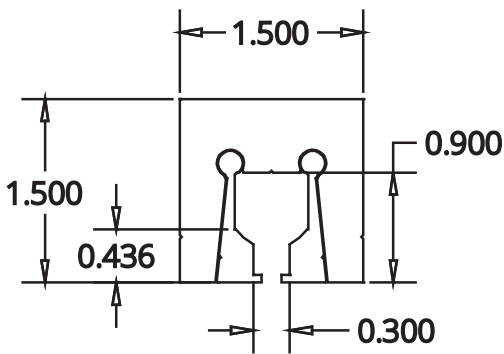
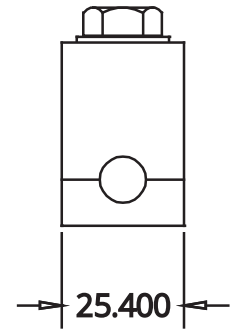
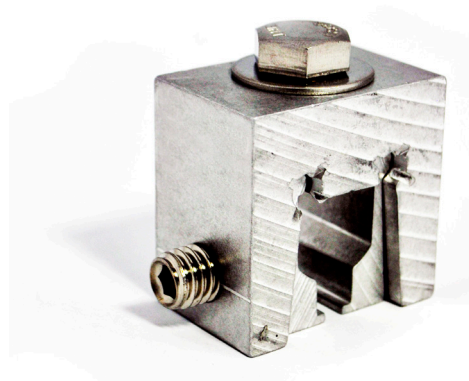
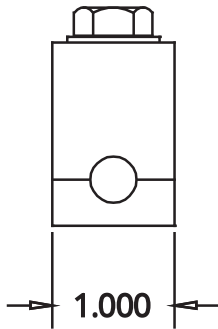


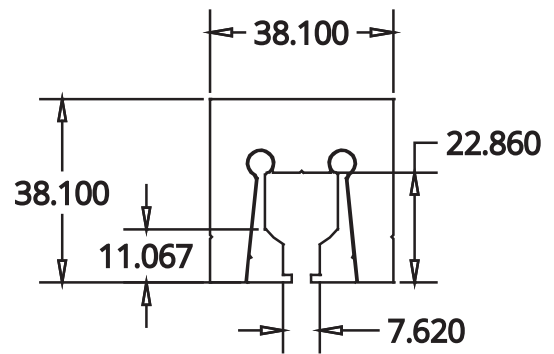
Round Style Hammer



EXPLODED VIEW



(INCHES)



(MILLIMETERS)



UNIVERSAL® CLAMP - 1-INCH STANDARD BODY

PART NO. SI104XS

Recommended Screw Tension	Perpendicular Pull Test Results	Parallel Pull Test Results
16-20 ft/lb	2001 lbf.	1584 lbf.