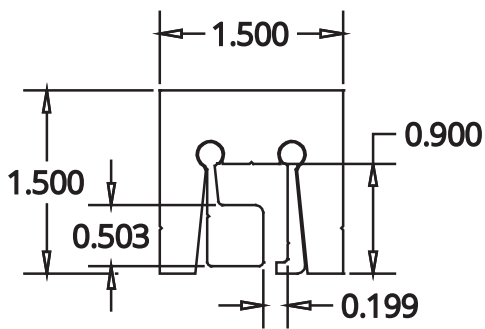
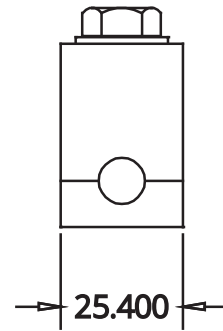
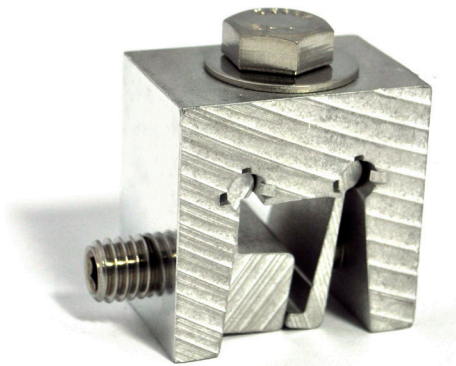
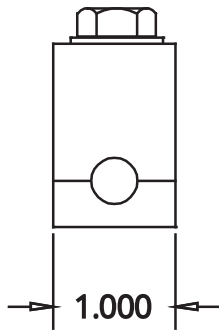
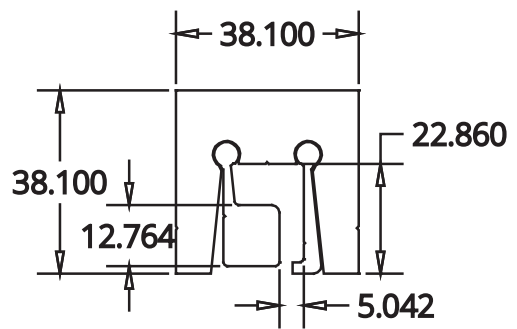


EXPLODED VIEW



(INCHES)



(MILLIMETERS)



UNIVERSAL<sup>®</sup> CLAMP - 1-INCH STANDARD BODY

PART NO. SI105XS

Recommended Screw Tension	Perpendicular Pull Test Results	Parallel Pull Test Results
16-20 ft/lb	2024 lbf.	1067 lbf.