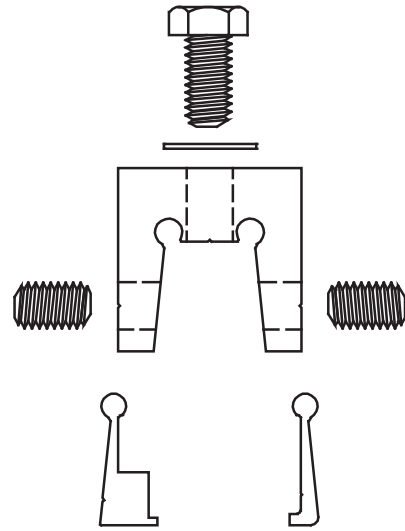
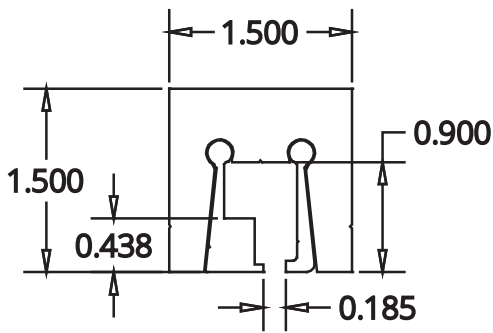
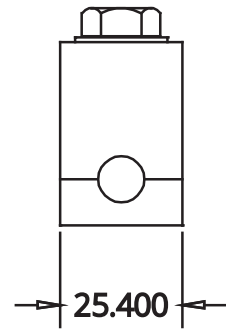
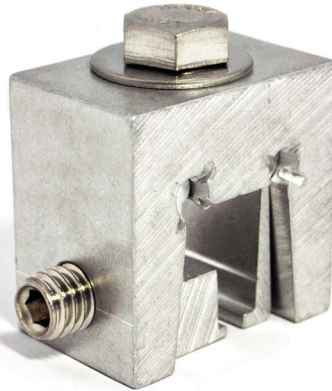
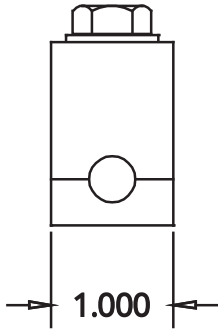


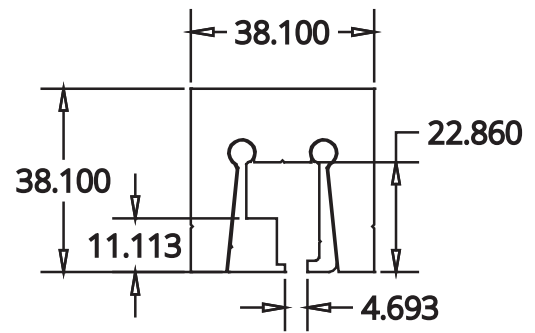
Modified "L" Shaped Hammer G2 Standing Seam Hammer



EXPLODED VIEW



(INCHES)



(MILLIMETERS)



UNIVERSAL® CLAMP - 1-INCH STANDARD BODY

PART NO. SI106XS

Recommended Screw Tension	Perpendicular Pull Test Results	Parallel Pull Test Results
16-20 ft/lb	2007 lbf.	1049 lbf.