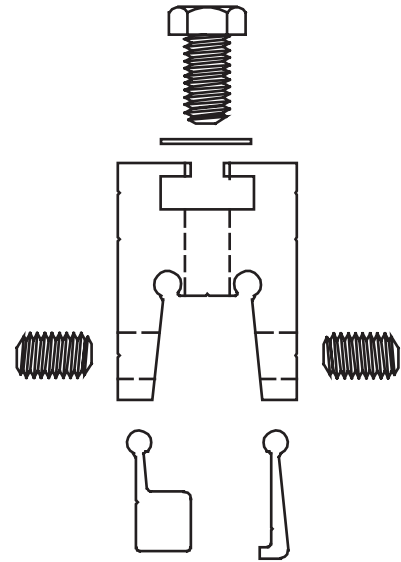
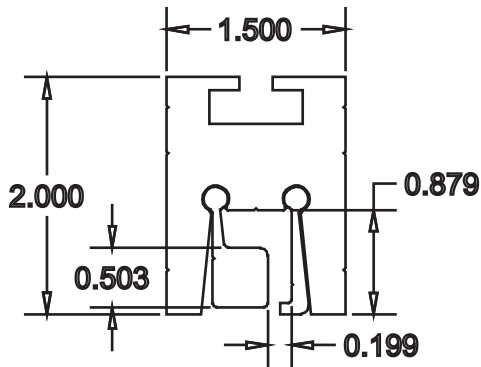
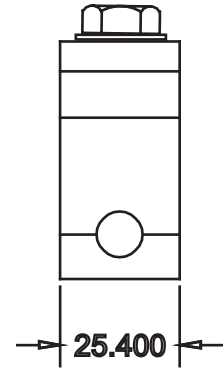
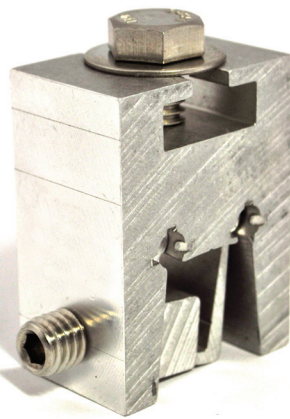
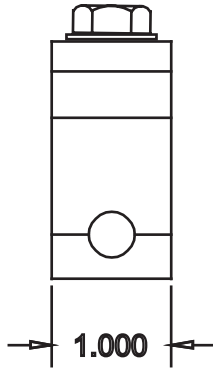


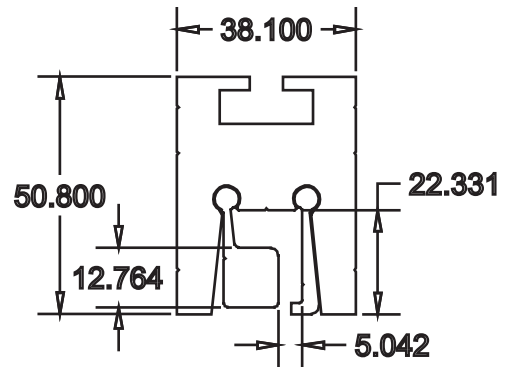
L Shape Hammer G2 Standing Seam Hammer



EXPLODED VIEW



(INCHES)



(MILLIMETERS)



UNIVERSAL[®]
CLAMPS

UNIVERSAL[®] CLAMP - 1-INCH T-BODY

PART NO. SI125XS

Recommended Screw Tension	Perpendicular Pull Test Results	Parallel Pull Test Results
16-20 ft/lb	2009 lbf.	1067 lbf.