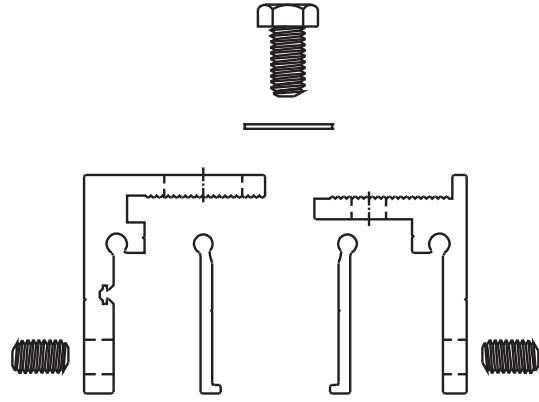
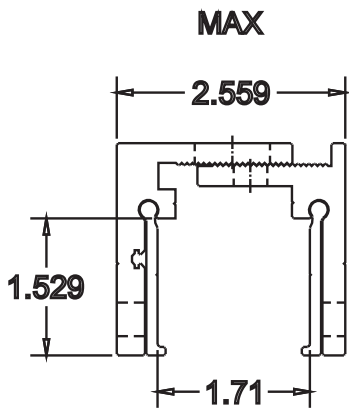
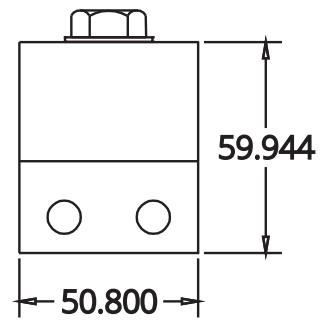
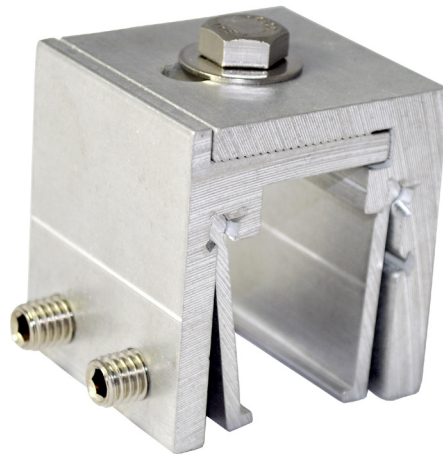
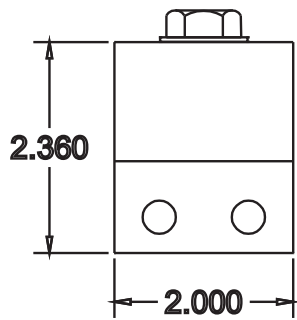


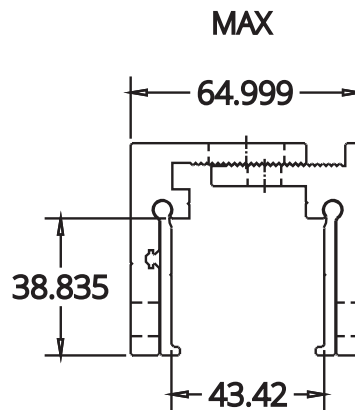
G2 Standing Seam Hammer



EXPLODED VIEW



(INCHES)



(MILLIMETERS)



**UNIVERSAL**<sup>®</sup>  
CLAMPS

**UNIVERSAL<sup>®</sup> CLAMP - ADJUSTABLE 2-PIECE, LARGE**

PART NO. SI132L

Recommended Screw Tension	Perpendicular Pull Test Results	Parallel Pull Test Results
16-20 ft/lb	2499 lbf.	1205 lbf.