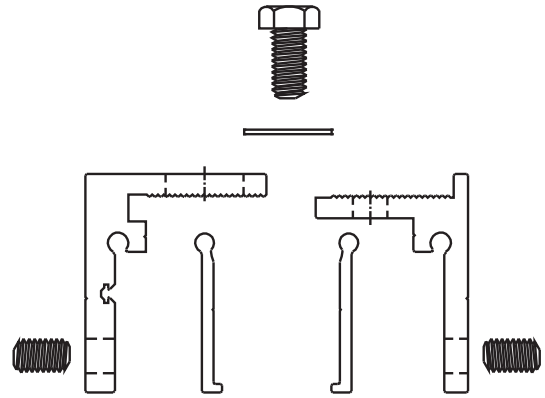
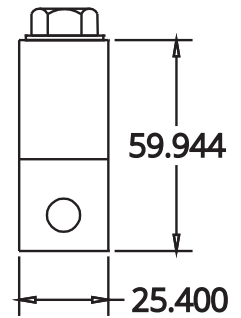
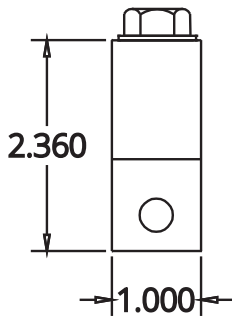


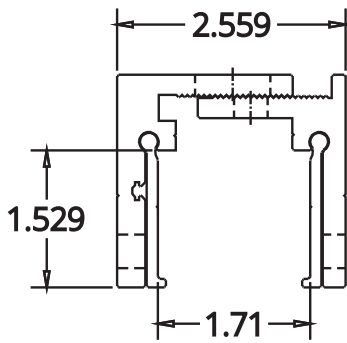
G2 Standing Seam Hammer



EXPLODED VIEW

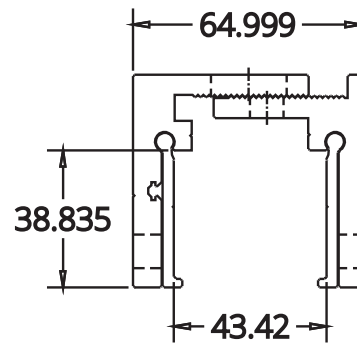


MAX



(INCHES)

MAX



(MILLIMETERS)



UNIVERSAL[®]
CLAMPS

UNIVERSAL[®] CLAMP - ADJUSTABLE 2-PIECE, LARGE

PART NO. SI132LXS

Recommended
Screw Tension

Perpendicular Pull
Test Results

Parallel Pull
Test Results

16-20 ft/lb

2146 lbf.

588 lbf.