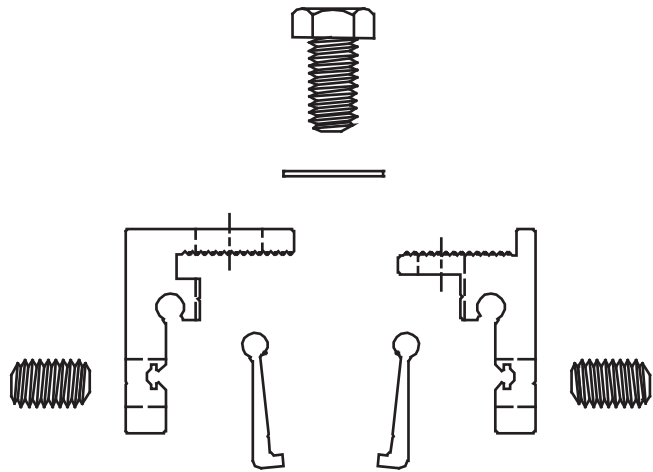
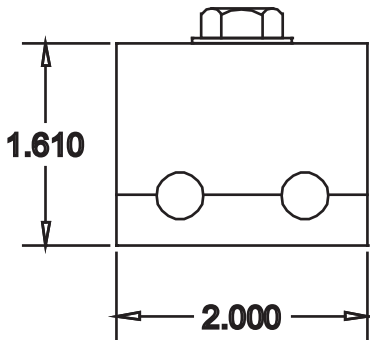


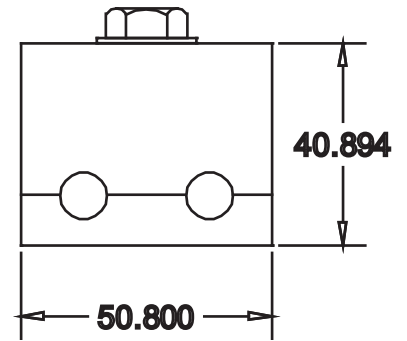
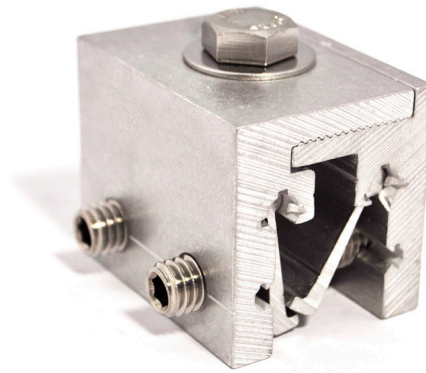
**G2 Standing  
Seam Hammer**



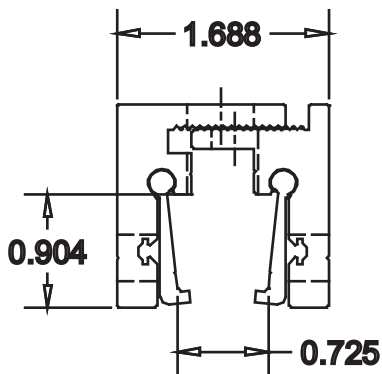
**EXPLODED VIEW**



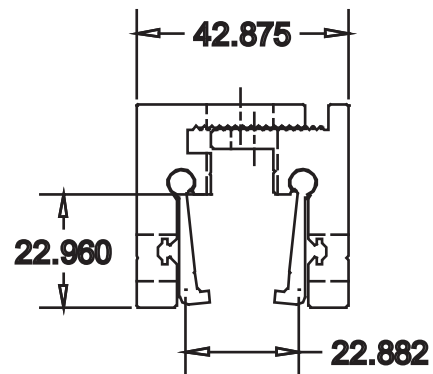
**MAX**



**MAX**



**(INCHES)**



**(MILLIMETERS)**



**UNIVERSAL<sup>®</sup>**  
CLAMPS

**UNIVERSAL CLAMP - ADJUSTABLE 2-PIECE, SMALL**

PART NO. SI132S

Recommended  
Screw Tension

Perpendicular Pull  
Test Results

Parallel Pull  
Test Results

16-20 ft/lb

3057 lbf.

1724 lbf.