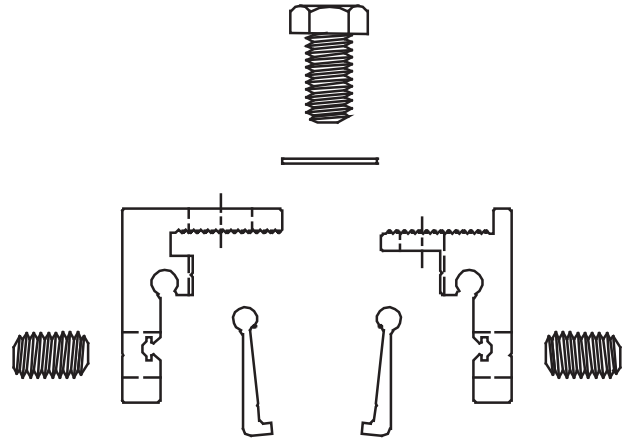
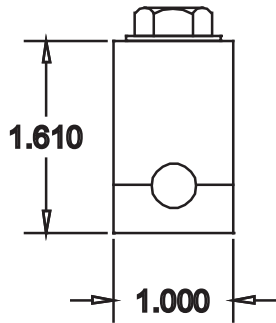


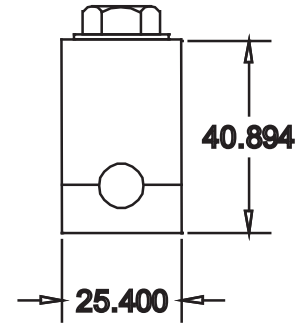
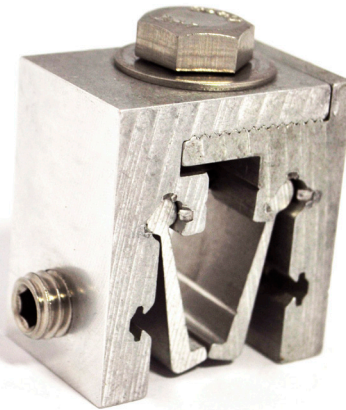
**G2 Standing  
Seam Hammer**



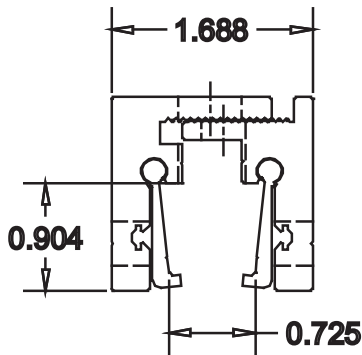
**EXPLODED VIEW**



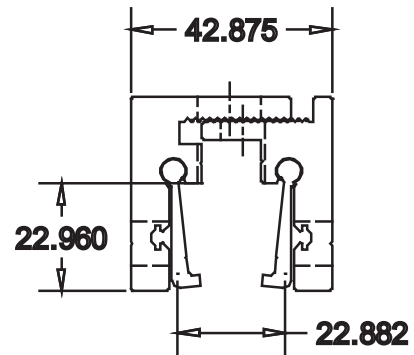
**MAX**



**MAX**



**(INCHES)**



**(MILLIMETERS)**



**UNIVERSAL<sup>®</sup>**  
CLAMPS

**UNIVERSAL CLAMP - ADJUSTABLE 2-PIECE, SMALL**

PART NO. SI132SXS

**Recommended  
Screw Tension**

16-20 ft/lb

**Perpendicular Pull  
Test Results**

2704lbf.

**Parallel Pull  
Test Results**

2116 lbf.