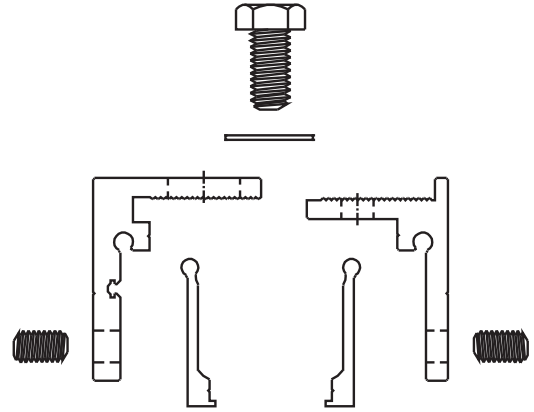
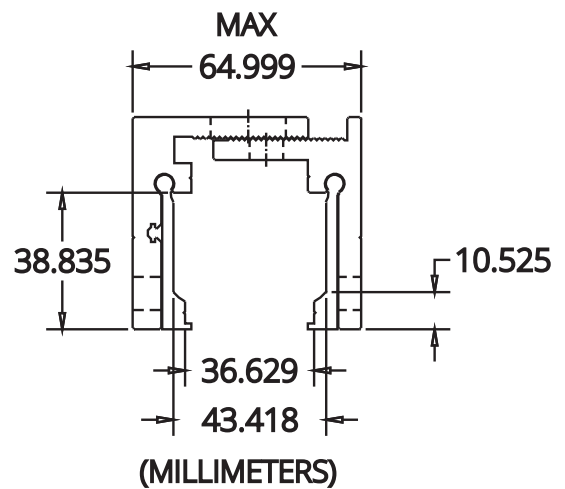
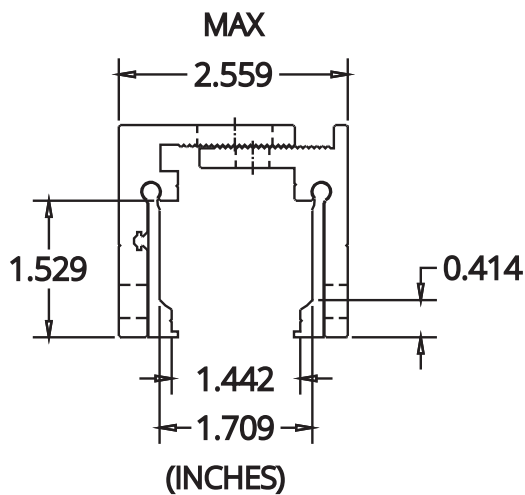
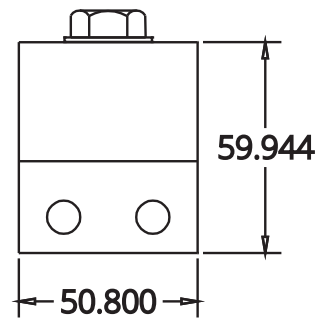
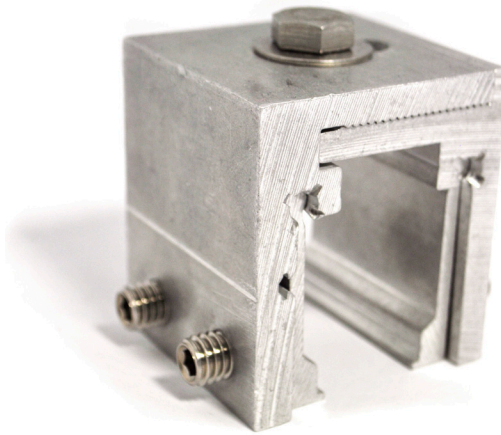
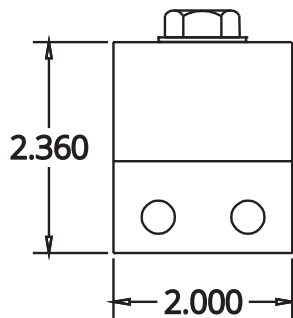


Round Style Hammer



EXPLODED VIEW



UNIVERSAL® CLAMP - ADJUSTABLE 2-PIECE, LARGE

PART NO. SI134L

Recommended
Screw Tension

Perpendicular Pull
Test Results

Parallel Pull
Test Results

16-20 ft/lb

2538 lbf.

1156 lbf.