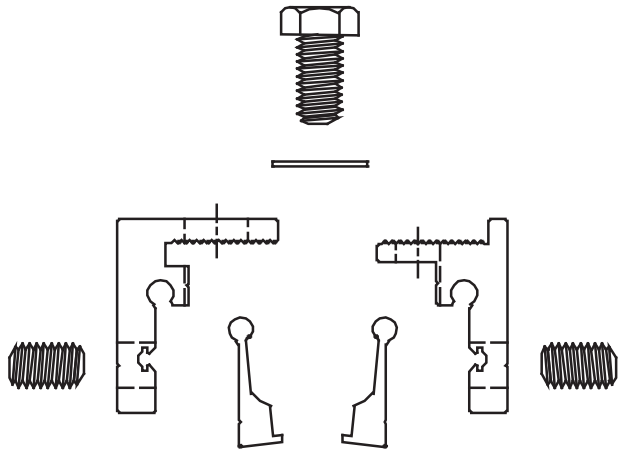
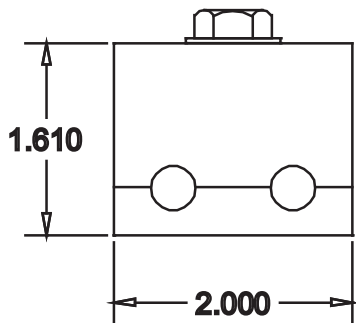


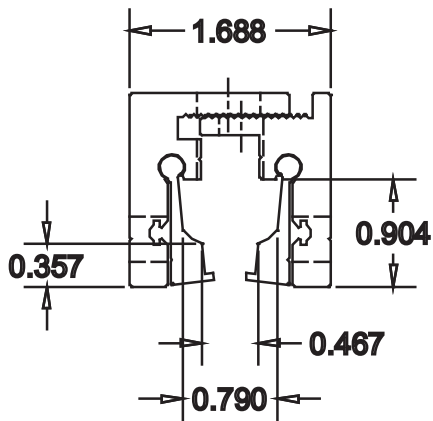
Small Round  
Style Hammer



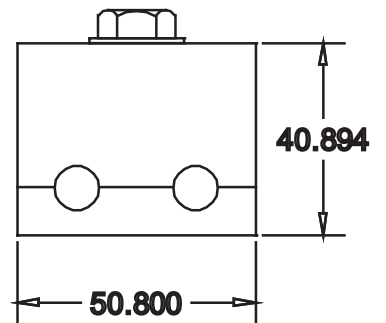
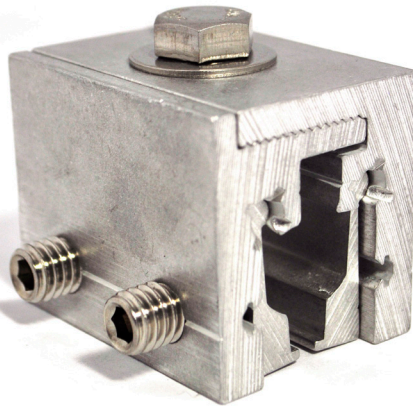
EXPLODED VIEW



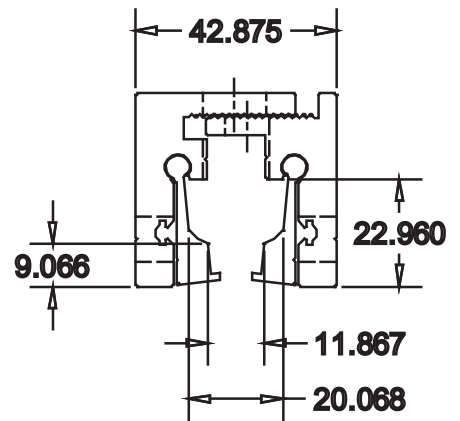
MAX



(INCHES)



MAX



(MILLIMETERS)



UNIVERSAL CLAMP - ADJUSTABLE 2-PIECE, SMALL

PART NO. SI134S

Recommended  
Screw Tension

16-20 ft/lb

Perpendicular Pull  
Test Results

2744lbf.

Parallel Pull  
Test Results

1676 lbf.