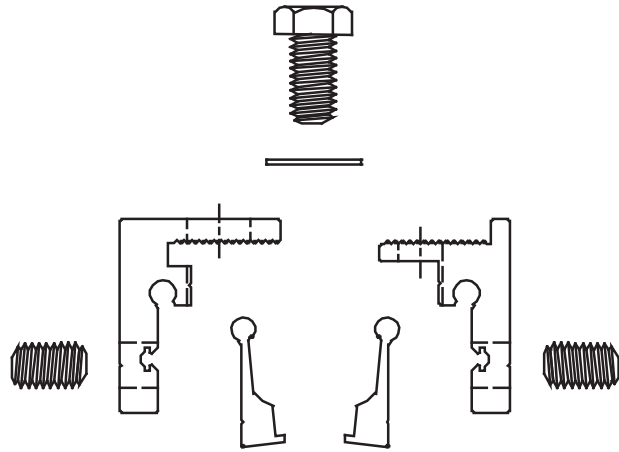
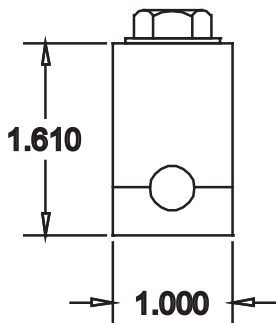


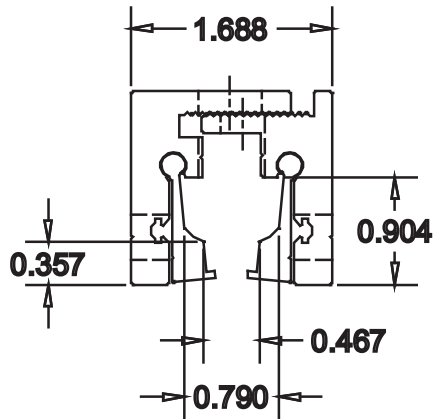
Small Round
Style Hammer



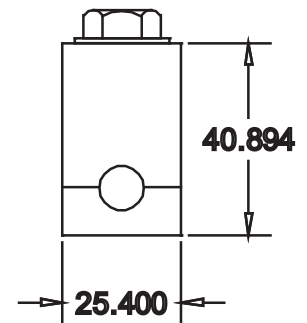
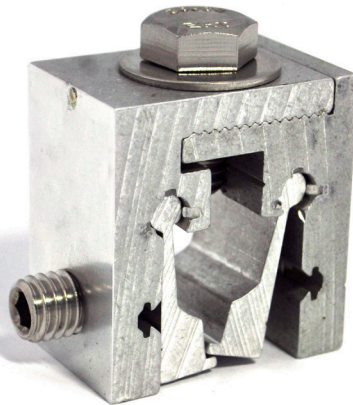
EXPLODED VIEW



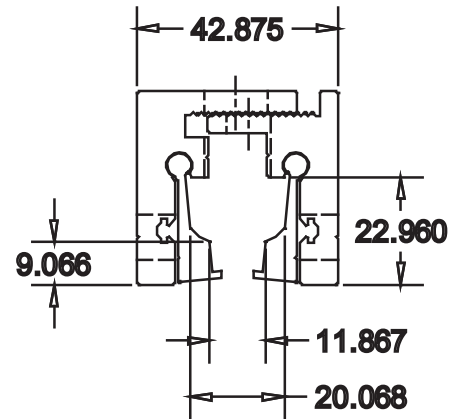
MAX



(INCHES)



MAX



(MILLIMETERS)



UNIVERSAL CLAMP - ADJUSTABLE 2-PIECE, SMALL

PART NO. SI134SXS

Recommended
Screw Tension

16-20 ft/lb

Perpendicular Pull
Test Results

2058lbf.

Parallel Pull
Test Results

1352 lbf.