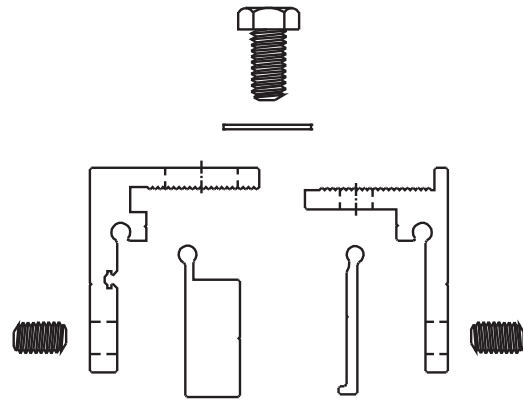
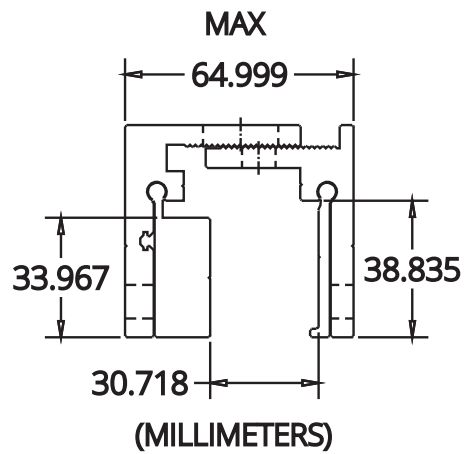
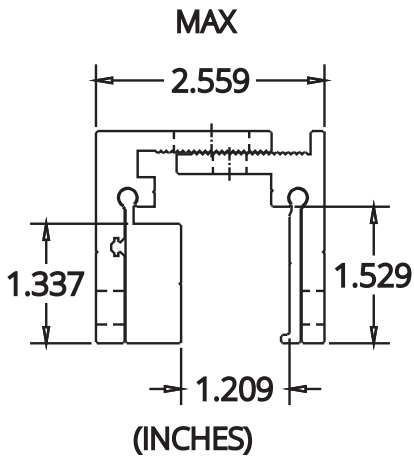
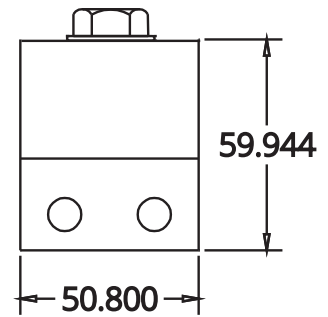
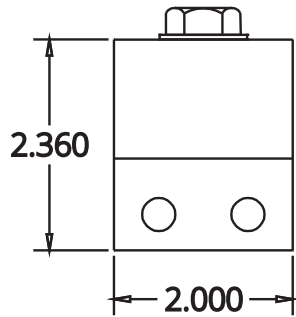


Adjustable
"L" Shape Hammer

G2 Standing
Seam Hammer



EXPLODED VIEW



UNIVERSAL® CLAMP - ADJUSTABLE 2-PIECE, LARGE

PART NO. SI135L

Recommended
Screw Tension

Perpendicular Pull
Test Results

Parallel Pull
Test Results

16-20 ft/lb

3018 lbf.

2332 lbf.