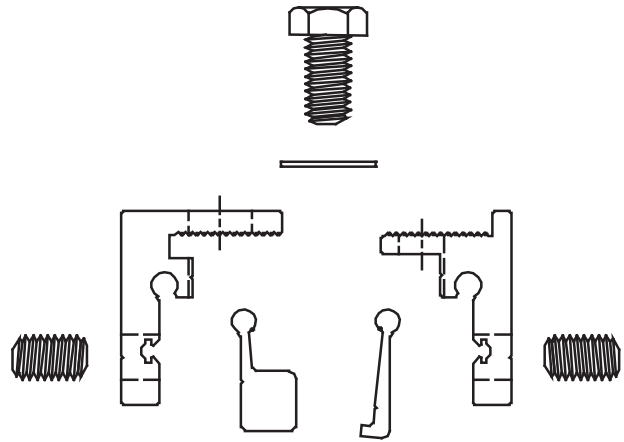
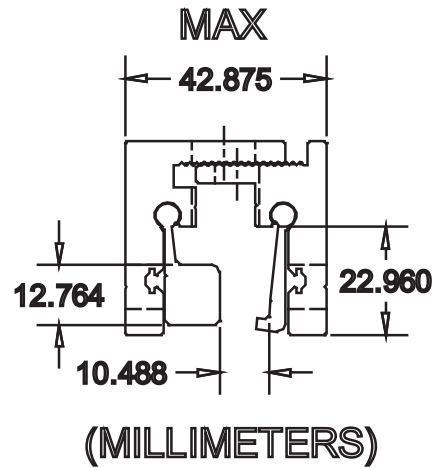
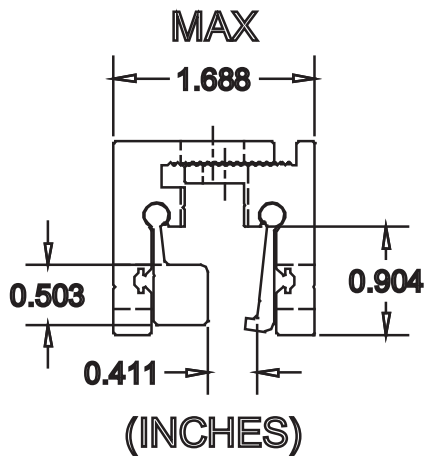
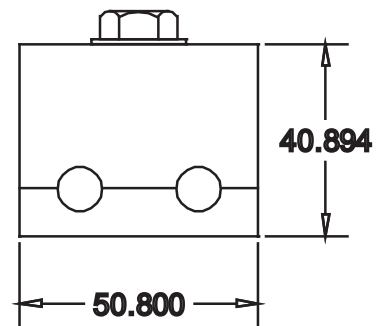
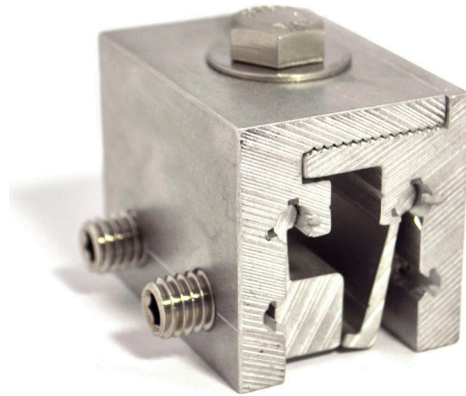
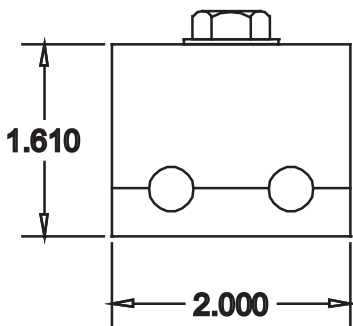


Small L Shape Hammer

Small Standing Seam Hammer



EXPLODED VIEW



UNIVERSAL CLAMP - ADJUSTABLE 2-PIECE, SMALL

PART NO. SI135S

Recommended Screw Tension

Perpendicular Pull Test Results

Parallel Pull Test Results

16-20 ft/lb

2704lbf.

2116 lbf.