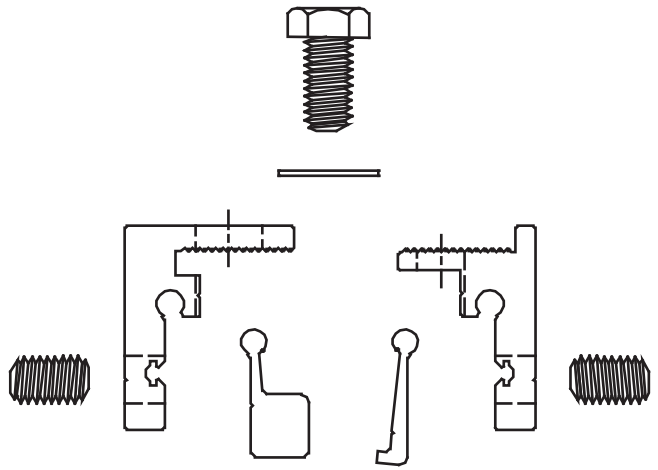
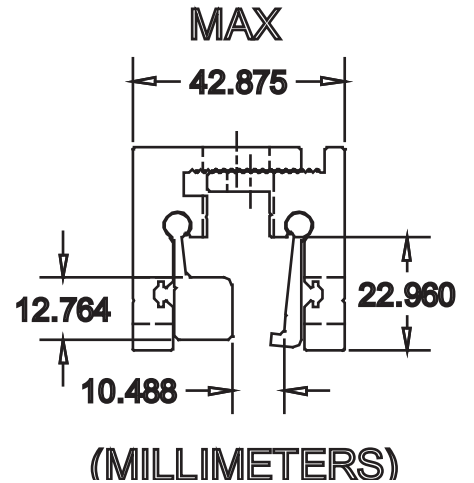
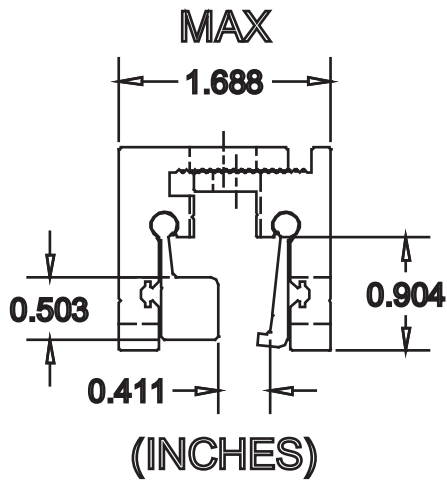
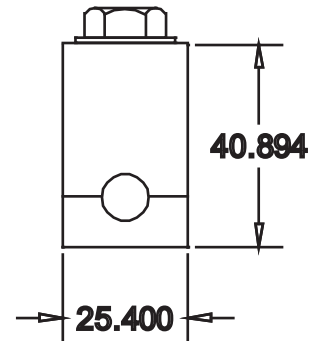
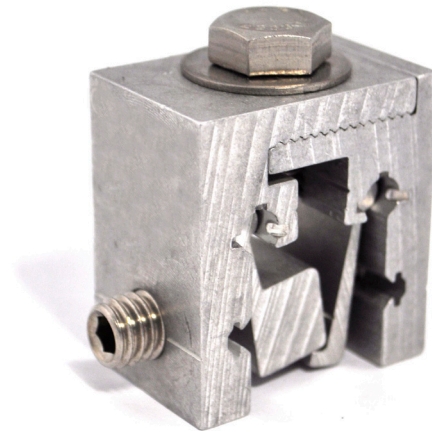
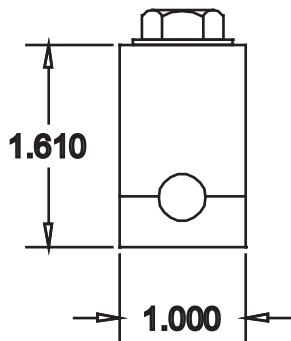


Small L Shape Hammer  
Small Standing Seam Hammer



EXPLODED VIEW



UNIVERSAL CLAMP - ADJUSTABLE 2-PIECE, SMALL

PART NO. SI135SXS

Recommended Screw Tension	Perpendicular Pull Test Results	Parallel Pull Test Results
16-20 ft/lb	2656lbf.	1734lbf.